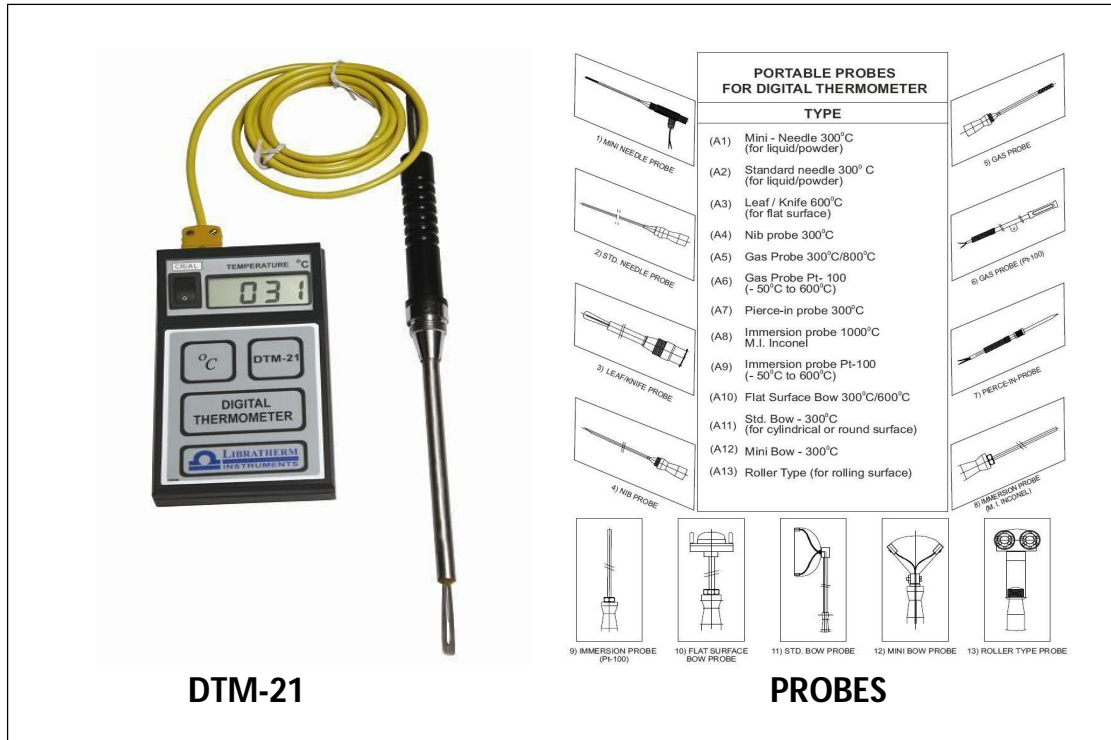


## Digital Portable Thermometer (Product code 25.1)



### Description:

Libratherm Instruments offers Digital Portable Thermometer (Model DTM-21) mainly for Industrial use. It is an indispensable tool in every step of temperature measurement. It accepts various types of Cr/Al or RTD (Pt-100) sensing probes to measure the temperature of hot or cold flat/rotating/vibrating surfaces, powder, liquid, gas, furnaces, ovens, cold storage's etc. It's a handy instrument to cross check the temperature. It can measure the temperature from  $-100^{\circ}\text{C}$  to  $+1000^{\circ}\text{C}$  within  $\pm 0.5\%$  accuracy. DTM-21 is 9-volt battery operated, rugged, reliable, and field proven Digital thermometer.

### Features:

- ❖ Indispensable tool for all industries for quick temperature measurement.
- ❖ Wide temperature range  $-100^{\circ}\text{C}$  to  $1000^{\circ}\text{C}$ .
- ❖ Accepts RTD (Pt-100) or Cr/Al probes or sensors.
- ❖ Various interchangeable probes can be used.
- ❖ Quick response.
- ❖ ABS housing.
- ❖ Available with standard or compensated thermocouple connector.
- ❖ Operates on std. 9VDC battery.
- ❖ Available with both standard and miniature thermocouple connector.

### Application:

- ◆ To measure the temperature of hot or cold flat/rotating/vibrating surfaces, solid surface, vibrating surface, cylindrical surface, powder, liquid, gas, furnaces, ovens, cold storage's, hot mould, etc.....

### Technical Specifications:

<b>Sensor</b>	Cr/Al – K type Thermocouple or RTD (PT-100).
<b>Range</b>	0 to 1000 °C for 'K' type thermocouple or to be specified. 0 to 400 °C for RTD (Pt-100) or to be specified (Measuring range depends on the type of sensor)
<b>Accuracy</b>	± 0.5 % of the specified range (0-400) °C. ± 1.0% of the specified range (0-1000) °C.
<b>Resolution</b>	1 °C or 0.1 °C up to 199.9 °C for RTD(Pt-100) sensor only.
<b>Display</b>	3 & ½ Digit, 0.5" high LCD.
<b>Polarity indication</b>	Provided.
<b>Over range indication</b>	Provided.
<b>CJC</b>	Built in Automatic.
<b>Supply</b>	9 volts dry cell.
<b>Low battery indication</b>	Provided.
<b>Ambient</b>	(0-50) °C
<b>Dimensions</b>	145 x 29 x 80 mm
<b>Weight</b>	200 gms (approx).

### Ordering Information:

Model	Code	Sensor Type	Probe Type	Range
<b>DTM-21</b>	A1	Cr/Al	Mini Needle (for liquid/powder)	0 to 300 °C
	A2	Cr/Al	Standard needle (for liquid/powder)	0 to 300 °C/800 °C
	A3	Cr/Al	Leaf / Knife (for flat surface)	0 to 600 °C
	A4	Cr/Al	Nib probe	0 to 300 °C
	A5	Cr/Al	Gas Probe	0 to 300 °C/800 °C
	A6	Pt-100	Gas Probe	-50 °C to 600 °C
	A7	Cr/Al	Pierce-in probe	0 to 300 °C
	A8	Cr-Al	Immersion probe (M.I. Inconel)	0 to 1000 °C
	A9	Cr-Al	Immersion probe Pt-100	-50 °C to 600 °C
	A10	Cr-Al	Flat Surface Bow	0 to 300 °C/600 °C
	A11	Cr-Al	Std. Bow (for cylindrical or round surface)	0 to 300 °C
	A12	Cr-Al	Mini Bow	0 to 300 °C
	A13	Cr-Al	Roller Type (for rolling surface)	0 to 600 °C

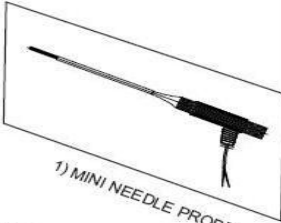
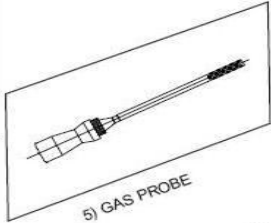
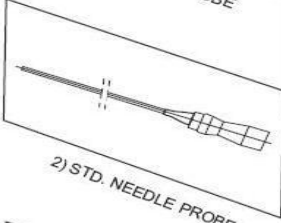
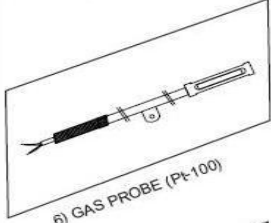
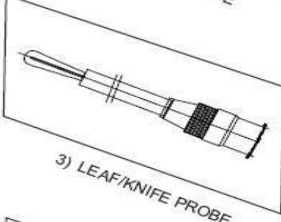
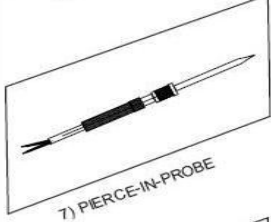
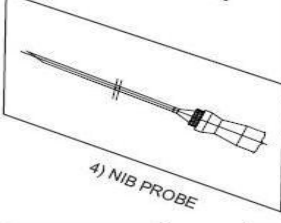
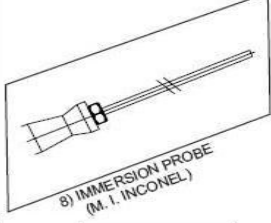
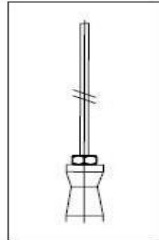
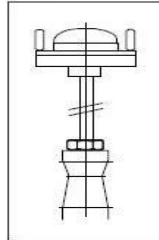
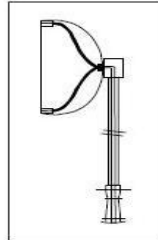
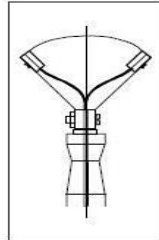
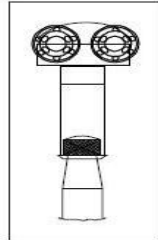
**Example:**

MODEL	A- Probe Type
DTM-21	A8
DTM-21	A6

Example	Ordering Code	Description
1	DTM-21-A8	This is Portable Digital indicator with K type thermocouple having range (0-1000) °C.
2	DTM-21-A6	This is Portable Digital indicator with Gas Probe (Pt-100) having range -50°C to 600 °C

**PORTABLE PROBES FOR DIGITAL THERMOMETER**

**TYPE**

 <p>1) MINI NEEDLE PROBE</p>	<p>(A1) Mini - Needle 300°C (for liquid/powder)</p> <p>(A2) Standard needle 300° C (for liquid/powder)</p> <p>(A3) Leaf / Knife 600°C (for flat surface)</p> <p>(A4) Nib probe 300°C</p> <p>(A5) Gas Probe 300°C/800°C</p> <p>(A6) Gas Probe Pt- 100 (- 50°C to 600°C)</p> <p>(A7) Pierce-in probe 300°C</p> <p>(A8) Immersion probe 1000°C M.I. Inconel</p> <p>(A9) Immersion probe Pt-100 (- 50°C to 600°C)</p> <p>(A10) Flat Surface Bow 300°C/600°C</p> <p>(A11) Std. Bow - 300°C (for cylindrical or round surface)</p> <p>(A12) Mini Bow - 300°C</p> <p>(A13) Roller Type (for rolling surface)</p>	 <p>5) GAS PROBE</p>
 <p>2) STD. NEEDLE PROBE</p>		 <p>6) GAS PROBE (Pt-100)</p>
 <p>3) LEAF/KNIFE PROBE</p>		 <p>7) PIERCE-IN-PROBE</p>
 <p>4) NIB PROBE</p>		 <p>8) IMMERSION PROBE (M. I. INCONEL)</p>
 <p>9) IMMERSION PROBE (Pt-100)</p>	 <p>10) FLAT SURFACE BOW PROBE</p>	 <p>11) STD. BOW PROBE</p>
	 <p>12) MINI BOW PROBE</p>	 <p>13) ROLLER TYPE PROBE</p>

Partners In Measurement And Control