

# TEMPERATURE / PROCESS INDICATORS



**DPI-902**



**DPI-912**



**DPI-966**

## MODEL WISE DESCRIPTION

Model	Product Description	Configuration	Size	Part no.
DPI-902	Temperature & Process Indicator	(1 AI + 1 AO )	96 x 96 x 75	1305
DPI-912	Temperature & Process Indicator	(1 AI + 1 AO)	96 x 48 x 75	1304
DPI-966	Temperature & Process Indicator	(1 AI + 1 AO + 1 SO)	96 x 96 x 120	1302

## CONFIGURATION

- AI: Analog Input from Process transmitter in the form of 4-20mA or from the Temperature Sensors.
- AO: Analog Output proportional to Analog input, available in the form of Retransmission output of 4-20mA or optionally 0 -10V
- SO: Serial Output in the form of RS-485 on MODBUS RTU interface.

## FEATURES

- Microcontroller based Design
- Software linearized for better measurement accuracy
- Available in standard 1/8 DIN and 1/4 DIN sizes
- Works on universal 90-240VAC
- Universal and User selectable input from process transmitters/temperature sensors
- Industrial standard Analog and Digital Interface

## TECHNICAL SPECIFICATIONS

<b>Process Input</b>	4-20mA or 0-10V
<b>Display Range</b>	-2000 to +2000 or 0 to 4000 count with programmable decimal point
<b>Resolution</b>	0.1,0.01,0.001
<b>Temperature Input</b>	Thermocouple type – J, K, RTD(Pt-100) or R, S, B thermocouple
<b>Temperature Range</b>	As shown in the table below
<b>Resolution</b>	1°C for thermocouples and 0.1°C for Pt-100.
<b>Sampling rate / Display rate</b>	The input is read @40mS / the display is updated @1 second.
<b>Indicating Accuracy</b>	+/- 1°C for Thermocouple throughout the range and +/- 0.1°C for Pt-100 for (4-20)mA or (0-10)V - absolute to the linear input signal
<b>Display (DPI-966/902)</b>	4 digit 0.5" Red 7-segment display for process variable. 4 digit 0.5" Green 7-segment display for input type
<b>Display (DPI-912)</b>	4 digit 0.33" Red 7-segment display for process variable. LED Indications for Input type
<b>Settings</b>	Using Front panel feather touch key board to set various parameters like span HI/LO values, MODBUS slave ID, Input selection, calibration etc...
<b>Retransmission Output (Analog)</b>	4-20mA linearized and proportional to the selected input type and range
<b>Supply</b>	(90VAC-250VAC), 50/60 Hz, 18 to 48VAC/DC (optional)
<b>Size</b>	As shown in the above table
<b>Enclosure</b>	ABS plastic with polycarbonate front graphic.

Note : Technical specifications are subject to change due to continuous product upgradation.  
For any special requirement please contact.

## DESCRIPTION

Libratherm offers various models of Digital Temperature and Process Indicators as shown in the above table. User has the choice of selecting the model based on the type of Input, type of analog or digital interface and required size. All the models are designed to suit most of the Industrial applications.

### Part no. 1302: DPI-966:

This Indicator is available in the size of 96w x 96h x 120d mm, accepts input from J, K, R, S, B thermocouple, Pt-100, 4-20mA and provides retransmission of 4-20mA and serial output of RS485 MODBUS interface operating on 90-240VAC power supply.

### Part no. 1303: DPI-912:

This Indicator is available in the size of 96w x 48h x 75d mm, accepts input from J, K, thermocouple, Pt-100, 4-20mA and provides retransmission of 4-20mA operating on 90-240VAC power supply.

### Part no. 1304: DPI-902:

This Indicator is available in the size of 96w x 96h x 75d mm, accepts input from J, K, thermocouple, Pt-100, 4-20mA and provides retransmission of 4-20mA operating on 90-240VAC power supply.

## ORDERING CODE

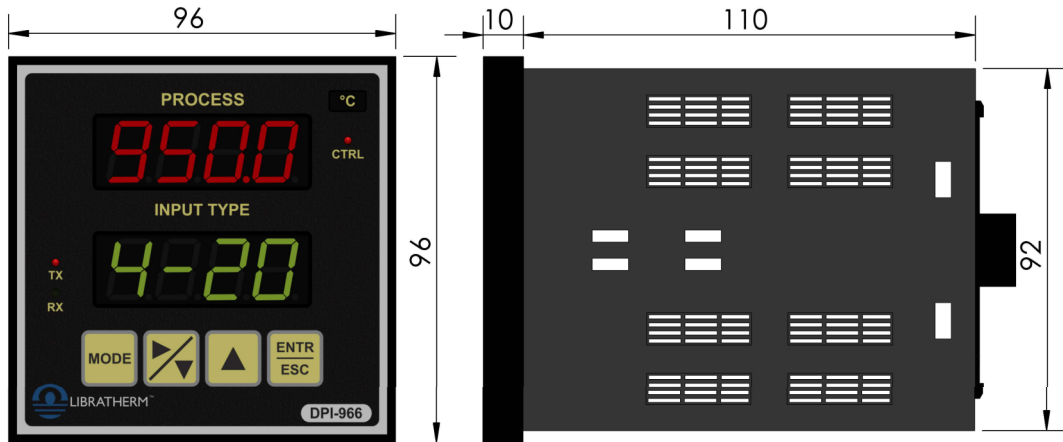
Sr no.	Model	Specifications	Part No.
1.1	DPI-966	Input : J,K,Pt-100,4-20mA	1302-1-1
1.2	DPI-966	Input : J,K,Pt-100,4-20mA with (4-20)mA retransmission	1302-1-2
1.3	DPI-966	Input : J,K,Pt-100,4-20mA with RS485 interface	1302-1-3
2.1	DPI-966	Input : R,S,B thermocouple	1302-2-1
2.2	DPI-966	Input : R,S,B with (4-20)mA retransmission	1302-2-2
2.3	DPI-966	Input : R,S,B with RS-485 interface	1302-2-3
3.1	DPI-912	Input : J,K,Pt-100,4-20mA	1303-1
3.2	DPI-912	Input : J,K,Pt-100,4-20mA with 4-20mA retransmission	1303-2
3.3	DPI-912	Input : R,S,B T/C	1303-3
3.4	DPI-912	Input : R,S,B T/C + 4-20mA retransmission	1303-4

## ORDERING CODE

Sr no.	Model	Specifications	Part No.
4.1	DPI-902	Input : J,K,Pt-100,4-20mA	1304-1
4.2	DPI-902	Input : J,K,Pt-100, 4-20mA with 4-20mA retransmission	1304-2
4.3	DPI-902	Input : J,K,Pt-100, 4-20mA with 4-20mA retransmission	1304-3
4.4	DPI-902	Input : J,K,Pt-100, 4-20mA with 4-20mA retransmission	1304-4

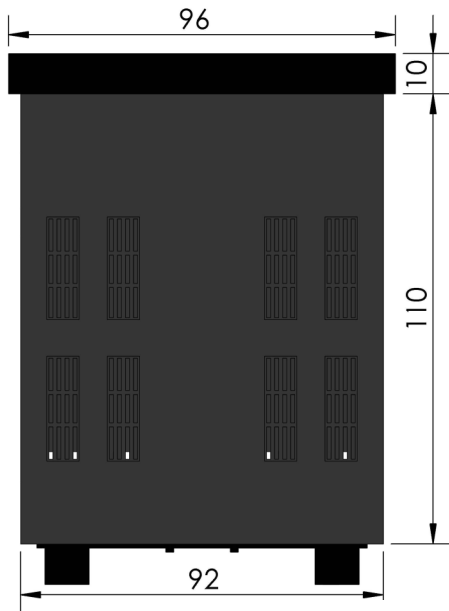
## DIMENSIONAL DRAWING

# DPI - 966

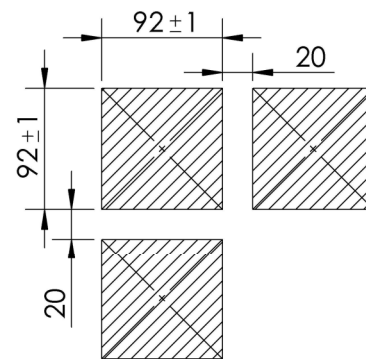


**FRONT VIEW**

**SIDE VIEW**



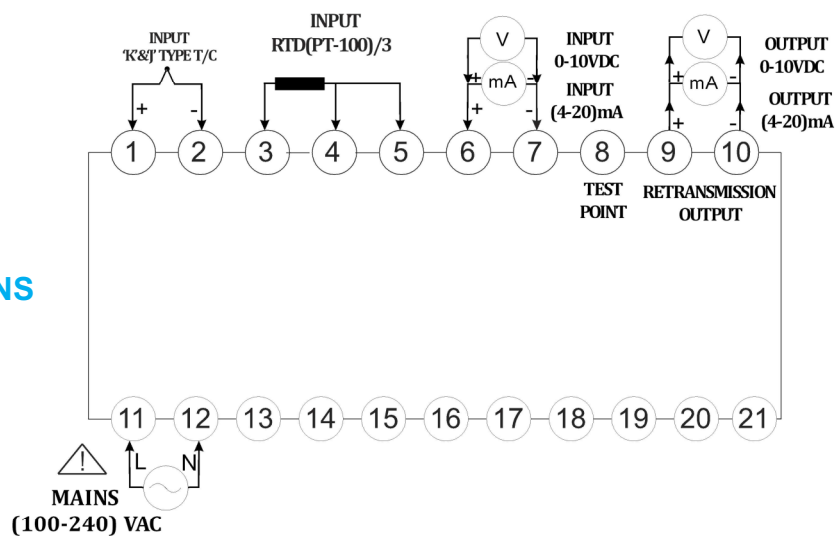
**BOTTOM VIEW**



**PANEL CUT OUT**

All dimensions are in mm

## CONNECTIONS

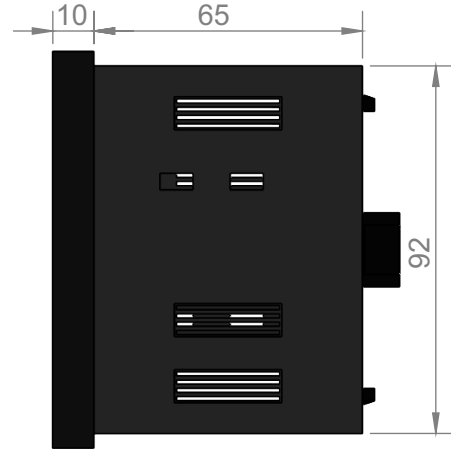


## DIMENSIONAL DRAWING

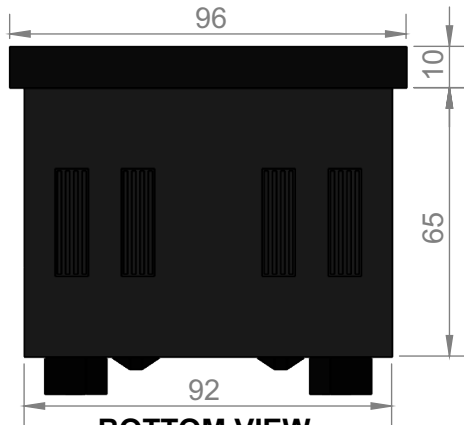
# DPI - 902



**FRONT VIEW**

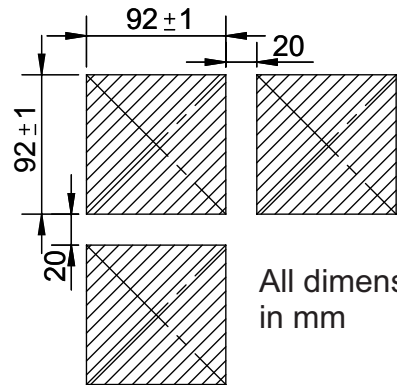


**SIDE VIEW**



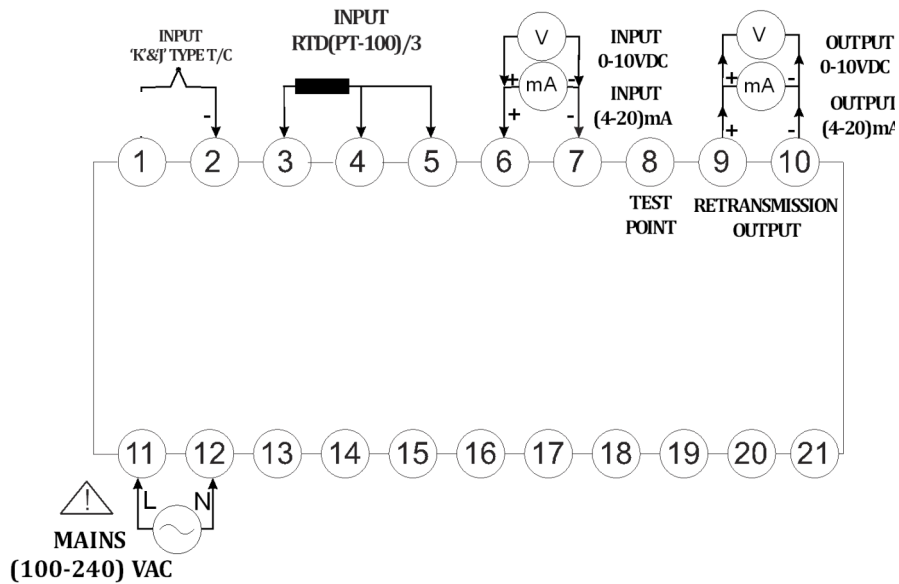
**BOTTOM VIEW**

### PANEL CUTOUT:-



All dimensions are in mm

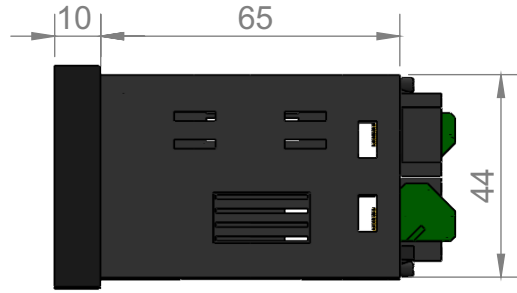
### CONNECTIONS:-



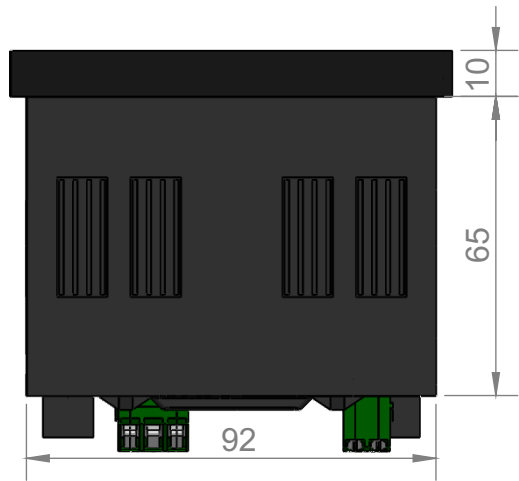
## DIMENSIONAL DRAWING



FRONT VIEW

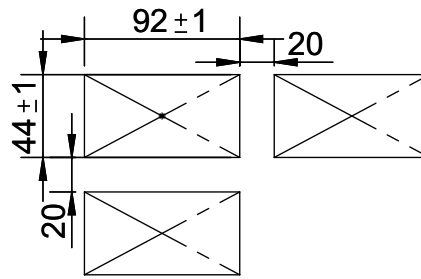


SIDE VIEW



BOTTOM VIEW

### PANEL CUTOUT:-



All dimensions are in mm

# DPI - 912

### CONNECTIONS:-

